

# ALFA®

## C1500

*Quality and Efficiency*

After 40 years **ALFA** in association with **ULTIMO**® are proud to announce a redesigned ultra high performance dishwashing machine line.

**ALFA** has developed the C1500 to the point where it provides very reasonably priced top quality ware-washing, very efficient use of water and power, and with features found only on very expensive models.

**ALFA** has succeeded in maintaining this excellent performance for our market, without sacrificing component quality and efficiency, while adding desirable features, all at an amazingly reasonable price.

*High Volume*



Ultimo Stainless Products Inc.  
USA: 561-372-5221  
Canada: 514-481-8665  
[www.ultimostainless.com](http://www.ultimostainless.com)

# ULTIMO®



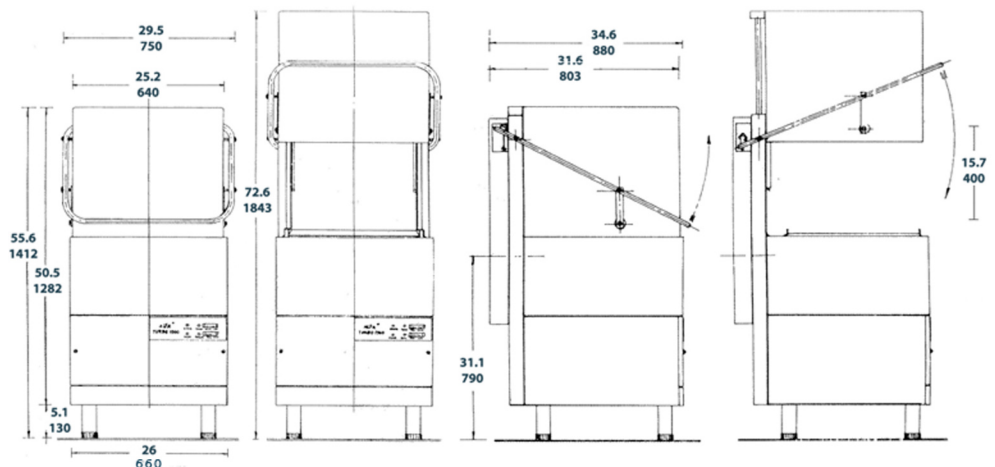
Tableware Solutions

# C1500



## Features

- ◆ Selector for choice of three wash cycles
  - ◆ Proof rinse feature insures proper sanitized rinse cycle
  - ◆ Very easy straight or corner convertibility
  - ◆ Uses standard 20"x20" (50 cm x 50 cm) baskets (can also accommodate 22" x 22")
  - ◆ Baskets supplied: 1 Dish Basket, 1 Glass Basket, 1 Cutlery Tray
  - ◆ Detergent pump ( standard )
  - ◆ Rinse aid injector ( standard )
  - ◆ Thermal protection for wash tank and booster
  - ◆ Wash pump: 1.5 HP
  - ◆ Booster tank heaters: 8 kW
  - ◆ Wash tank heater: 6 kW
  - ◆ Booster tank capacity: 3.5 G ( 13.5 L )
  - ◆ Wash tank capacity: 18 G ( 68 L )
  - ◆ Door clearance: 16" ( 400 mm )
  - ◆ Low maintenance, heavy duty, all corrosion resistant, 304 stainless steel
  - ◆ Warranty — 2 years parts; 1 year labor ( see details )
- 
- ◆ Power requirements: 9.1 KW, 208/240 V, 60 Hz, 40 A 1ph or 24 A 3 ph (50 Hz available on request )
  - ◆ Very easy field power convertible from 1 Phase to 3 Phase
  - ◆ Hot water requirements: ½" GPC ( 2 LPC) 120° F (50° C ) ( will operate with cold water, at reduced capacity )
  - ◆ Water line requirements: ¾" ( or ½" with ¾" NPT terminal ) ( hose supplied )
  - ◆ Water pressure requirements: 30 - 60 psi ( 2 - 4 bar )
  - ◆ Drain line: 1½" (35 mm) ( hose supplied )
  - ◆ Dimensions: 28" W x 32" D x 56" H ( 720 mm W x 815 mm D x 1412 mm H )
  - ◆ Shipping dimensions: 33" W x 35" D x 61" H ( 850 mm W x 900 mm D x 1550 mm H )
  - ◆ Shipping weight: 325 lb ( 148 kg ), Net weight : 290 lb ( 132 kg )



Ultimo Stainless Products inc.  
Tel: 514-481-8665  
E-mail: [info@ultimostainless.com](mailto:info@ultimostainless.com)  
[www.ultimostainless.com](http://www.ultimostainless.com)